



TREE CARE LINE OF PRODUCTS

TCO STAY COMPACT, GAIN FLEXIBILITY.

NON CONTRACTUAL PHOTO. ACTUAL PRODUCT MAY VARY FROM THE ONE SHOWN.



833-34FLYAX
axionlift.com

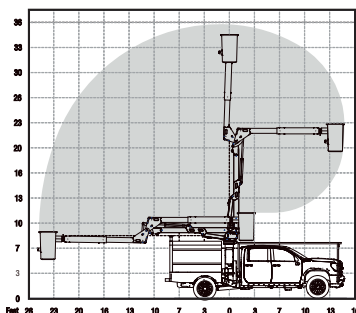
ARTICULATING OVERCENTER AERIAL DEVICE

GENERAL SPECIFICATIONS

EQUIPMENT	TCO29 Pickup-mounted
Working height	34.4 ft / 10,5 m
Ground to bottom of the platform	29.5 ft / 9,0 m
Maximum side reach	23.7 ft / 7,2 m
Stowed travel height	9.8 ft / 3 m
Platform capacity	300 lb / 136 kg
Platform dimensions	24 x 24 x 42 in / 610 x 610 x 1070 mm
Rotation	360° continuous infinite

REACH DIAGRAM

TCO29 Pickup-mounted



STANDARD FEATURES

- Emergency stop valves at the upper and lower control stations
- Side-Mount platform
- Lower controls with override to the platform
- Outrigger motion alarm
- Insulated 46 kV Category C
- Engine Start/Stop at Platform
- 3 function single-hand control (Joystick)
- Hydraulic oil level and thermometer
- Device against accidental operation at the platform (Safe Control System)
- Chain Platform Leveling System
- Self-lubricating bushing
- Hydraulic tool circuit at platform
- 1 set "A" frame outriggers
- Outrigger Boom Interlock System
- Vynil platform cover
- Leveling system and hoses fully embedded inside booms
- Liner
- Hydraulic Platform Tilt
- Holding valves integrated in hydraulic cylinders
- AXION meets or exceeds ANSI A92.2 standards
- Electric emergency pump at platform
- Back up alarm
- Lower boom lifting eye
- Chip box provides excellent payload capacity
- No required major scheduled maintenance
- Mounting brackets & stationary set-ups
- Quick coupling for working pressure measurement

SERVICE AND PARTS SUPPORT

833-34-FLY-AX (35929) / support@axionlift.com

Manned by expert in-house & mobile technicians, specializing in inspections, repairs & preventative maintenance.