



TREE CARE LINE OF PRODUCTS

TCO STAND FIRM, BE STRONG.

NON-CONTRACTUAL PHOTO. ACTUAL PRODUCT MAY VARY FROM THE ONE SHOWN.



833-34FLYAX
axionlift.com

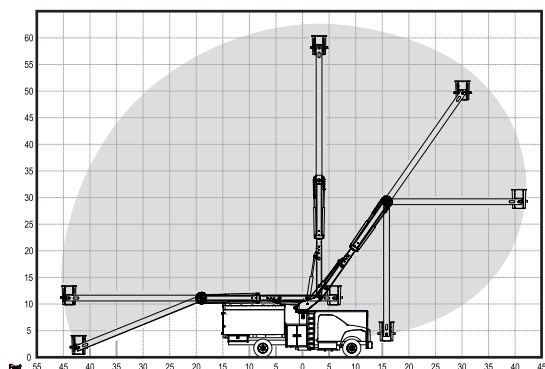
ARTICULATING OVERCENTER AERIAL DEVICE

GENERAL SPECIFICATIONS

EQUIPMENT	TC056
Working height	61.3 ft / 18,7 m
Ground to bottom of the platform	56.3 ft / 17,1 m
Maximum reach from centerline of rotation	44.4 ft / 13,5 m
Maximum reach upper boom non overcenter	41.6 ft / 12,6 m
Stowed travel height	12.5 ft / 3,8 m
Platform capacity	400 lb / 182 kg
Platform dimensions	24 x 24 x 42 in / 610 x 610 x 1067 mm
Lower boom articulation	0° to 125°
Upper boom articulation	0° to 270°
Rotation	360° continuous infinite

REACH DIAGRAM

TC056



STANDARD FEATURES

- Emergency stop valves at the upper and lower control stations
- Lower controls with override to the platform
- 3 function single-hand control (Joystick)
- Hydraulic oil level and thermometer
- Articulating pins with self-lubricating bushing
- 1 set "A" frame outriggers
- Outrigger Boom Interlock System
- Outrigger motion alarm
- Hydraulic tool circuit at platform
- Hoses fully embedded inside booms
- Holding valves integrated in hydraulic cylinders
- Insulated 46 kV Category C
- Chassis Insulating System (Lower Boom)
- Liner
- Engine Start/Stop at platform
- Mounting brackets & stationary set-ups
- Quick coupling for working pressure measurement
- Electric emergency pump at platform
- Manual platform tilt
- Full size chip box provides excellent payload capacity
- Auxiliary power units available
- Maintenance free elbow
- Vynil platform cover
- Back up alarm
- No required major scheduled maintenance
- AXIONLIFT meets or exceeds ANSI A92.2 standards

SERVICE AND PARTS SUPPORT

833-34-FLY-AX (35929) / support@axionlift.com

Manned by expert in-house & mobile technicians, specializing in inspections, repairs & preventative maintenance.