



AT LEADING SIDE REACH

NOTE: CONTRACTUAL PHOTO. ACTUAL PRODUCT MAY VARY FROM THE ONE SHOWN.

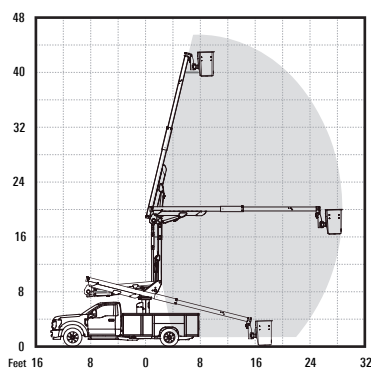
TELESCOPIC ARTICULATING AERIAL DEVICES

GENERAL SPECIFICATIONS

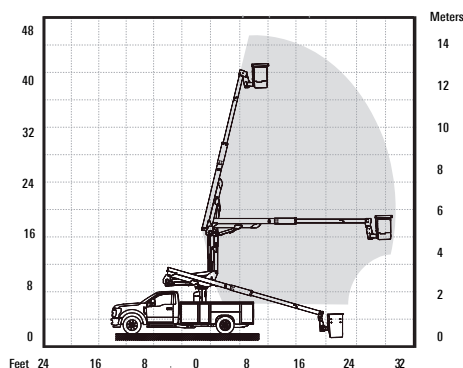
| EQUIPMENT | AT40 | AT37 |
|---|---------------------------------------|---------------------------------------|
| Working height ¹ | 45.0 ft / 13,7 m | 42.0 ft / 12,8 m |
| Ground to bottom of the platform ¹ | 40.0 ft / 12,2 m | 37.0 ft / 11,3 m |
| Maximum side reach | 28.5 ft / 8,7 m | 28.5 ft / 8,7 m |
| Stowed travel height ¹ | 9.8 ft / 3,0 m | 9.8 ft / 3,0 m |
| Telescopic boom extension | 116 in / 2,9 m | 116 in / 2,9 m |
| Platform capacity ^{2/3} | 400 lb - 450 lb / 182 kg - 204 kg | 400 lb - 450 lb / 182 kg - 204 kg |
| Platform dimensions | 24 x 30 x 42 in / 610 x 762 x 1070 mm | 24 x 30 x 42 in / 610 x 762 x 1070 mm |
| Rotation | 360° continuous infinite | 360° continuous infinite |

REACH DIAGRAM

AT40



AT37



STANDARD FEATURES

- Emergency stop valves at the upper and lower control stations
- End-Mount platform
- Lower controls with override to the platform
- 4 Function Single Hand Control
- Automatic Hydraulic Platform Leveling System
- Gear box + slewing drive rotation
- Hydraulic oil level and thermometer
- Self-lubricating bushing
- Leveling system and hoses fully embedded inside booms
- Holding valves integrated in hydraulic cylinders
- Insulated 46 kV Category C Chassis Insulating System (Lower Boom)
- Liner
- Capacity: 400 lb / 450 lb (182 kg / 204 kg)
- Hydraulic tool circuit at platform
- Bucket rotator 180°
- Engine Start/Stop at platform
- Electric emergency pump at platform
- Hydraulic bucket tilt
- Quick coupling for working pressure measurement
- Vynil platform and insert cover
- Mounting brackets & stationary set-ups
- AXIONLIFT meets or exceeds ANSI A92.2 standards

OPTIONS

- Front Outrigger with Interlock System
- Front & Rear Outrigger with Interlock System

1. Based on a chassis frame height of 1016 mm (40 in). 2. According to vehicle's GVW. 3. Recommended single platform.

SERVICE AND PARTS SUPPORT

833-34-FLY-AX (35929) / support@axionlift.com

Manned by expert in-house & mobile technicians, specializing in inspections, repairs & preventative maintenance.