



UR OUTSTANDING PRODUCTIVITY

Quality Management System certified by TÜV Rheinland.
AXIONLIFT is a company committed to quality.



833-34FLYAX
axionlift.com

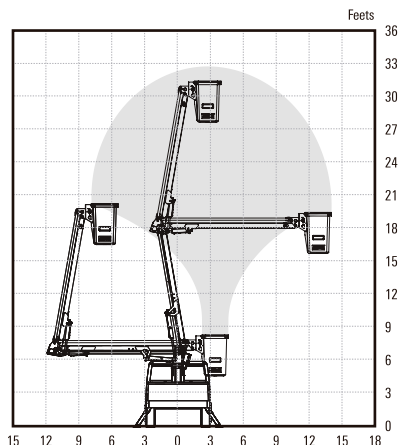
ARTICULATING AERIAL DEVICES

GENERAL SPECIFICATIONS

EQUIPMENT	UR29
Working height ¹	32.8 ft / 10,0 m
Ground to bottom of the platform ¹	27.9 ft / 8,5 m
Maximum side reach	14.1 ft / 4,3 m
Stowed travel height ¹	8.2 ft / 2,5 m
Platform capacity ²	300 lb / 136 kg
Platform dimensions	24 x 24 x 42 in / 610 x 610 x 1070 mm
Rotation	360° continuous infinite

REACH DIAGRAM

UR29



STANDARD FEATURES

- Electric emergency pump at platform
- Emergency stop valves at the upper and lower control stations
- End-Mount platform
- Lower controls with override to the platform
- Insulated 46 kV Category C
- Engine Start/Stop at platform
- Liner
- Hydraulic Platform Tilt
- Device against accidental operation at the platform (Safe Control System)
- Automatic Platform Levelling System
- Slewing drive rotation
- Hydraulic oil level and thermometer
- Self-lubricating bushing
- "A" frame outriggers
- Horometer
- Inclinator
- Outrigger motion alarm
- Hydraulic hoses fully embedded inside boom
- Integrated Holding valves
- AXION meets or exceeds ANSI A92.2 standards
- Certified under ISO 9001 by TÜV Rheinland
- Vinyl platform and insert cover
- Wheel chock
- Mounting brackets & stationary set-ups

1. Based on a chassis frame height of 1016 mm (40 in). 2. According to vehicle's GVW.

